

745032-1 ✓ ACTIVE

AMPLIMITE

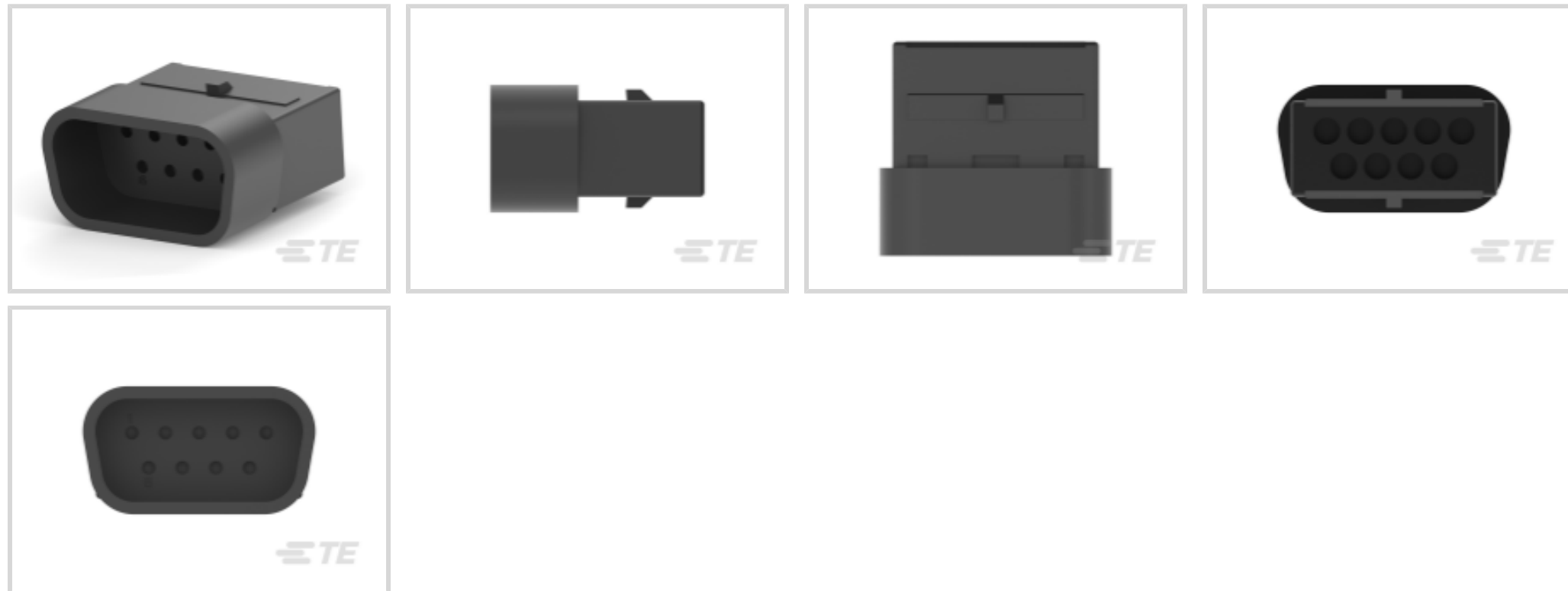
TE Internal #: 745032-1

Crimp D-Sub Connectors, Plug, Cable-to-Cable, 9 Position, Size 20, Size 1, Shielded, .108 in [2.74 mm] Centerline, Wire & Cable, Signal

[View on TE.com >](#)



Connectors > D-Shaped Connectors > D-Sub Connectors > Crimp D-Sub Connectors > D-Sub Crimp: Plug, Signal, 9 Posn, Pin Size 20, Shell Size 1



Connector & Housing Type: **Plug**

Connector System: **Cable-to-Cable**

Number of Positions: **9**

D-Sub Contact Size: **20**

D-Sub Shell Size: **1**

[All D-Sub Crimp: Plug, Signal, 9 Posn, Pin Size 20, Shell Size 1 \(13\)](#)

Features

Product Type Features

Grade	Standard
Grounding Indents	Without
Product Type	Connector
Shell Type	All Plastic
Connector & Housing Type	Plug
Connector System	Cable-to-Cable
D-Sub Shell Size	1
Sealable	No
Connector & Contact Terminates To	Wire & Cable

Configuration Features

Number of Positions	9
---------------------	---

Contact Features

D-Sub Contact Size	20
--------------------	----



Mechanical Attachment

Mating Retention	Without
------------------	---------

Housing Features

Housing Material	Thermoplastic
Centerline (Pitch)	2.74 mm [.108 in]

Usage Conditions

Operating Temperature Range	-55 – 105 °C [-67 – 221 °F]
-----------------------------	-----------------------------

Operation/Application

Shielded	Yes
Circuit Application	Signal

Industry Standards

UL Flammability Rating	UL 94V-2
------------------------	----------

Packaging Features

Packaging Method	Package
Packaging Quantity	1

Product Compliance

[For compliance documentation, visit the product page on TE.com>](#)

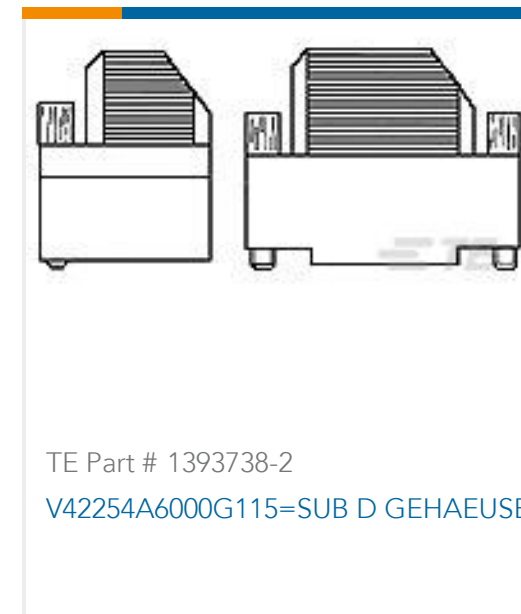
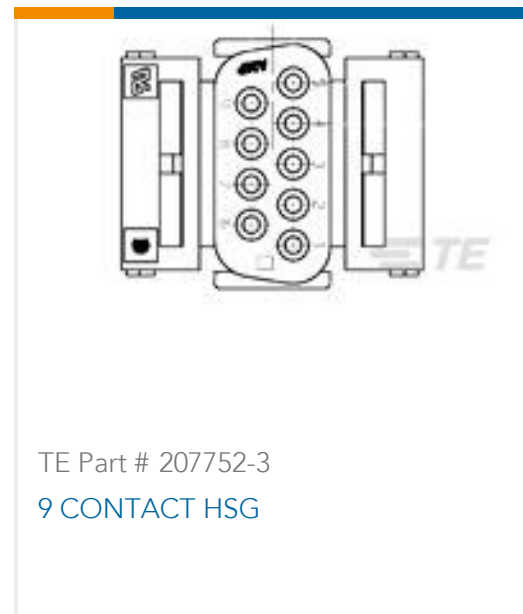
EU RoHS Directive 2011/65/EU	Compliant
EU ELV Directive 2000/53/EC	Compliant
China RoHS 2 Directive MIIT Order No 32, 2016	No Restricted Materials Above Threshold
EU REACH Regulation (EC) No. 1907/2006	Current ECHA Candidate List: JUNE 2022 (224) Candidate List Declared Against: JUNE 2022 (224) Does not contain REACH SVHC
Halogen Content	Low Halogen - Br, Cl, F, I < 900 ppm per homogenous material. Also BFR/CFR/PVC Free
Solder Process Capability	Not applicable for solder process capability

Product Compliance Disclaimer

This information is provided based on reasonable inquiry of our suppliers and represents our current actual knowledge based on the information they provided. This information is subject to change. The part numbers that TE has identified as EU RoHS compliant have a maximum concentration of 0.1% by weight in homogenous materials for lead, hexavalent chromium, mercury, PBB, PBDE, DBP, BBP, DEHP, DIBP, and 0.01% for cadmium, or qualify for an exemption to these limits as defined in the Annexes of Directive 2011/65/EU (RoHS2). Finished electrical and electronic equipment products

will be CE marked as required by Directive 2011/65/EU. Components may not be CE marked. Additionally, the part numbers that TE has identified as EU ELV compliant have a maximum concentration of 0.1% by weight in homogenous materials for lead, hexavalent chromium, and mercury, and 0.01% for cadmium, or qualify for an exemption to these limits as defined in the Annexes of Directive 2000/53/EC (ELV). Regarding the REACH Regulation, the information TE provides on SVHC in articles for this part number is based on the latest European Chemicals Agency (ECHA) 'Guidance on requirements for substances in articles' posted at this URL: <https://echa.europa.eu/guidance-documents/guidance-on-reach>

Compatible Parts



Documents

Product Drawings

9 POS AMPL HSG

English

CAD Files

3D PDF

3D

Customer View Model

[ENG_CVM_CVM_745032-1_D.2d_dxf.zip](#)

English

Customer View Model

[ENG_CVM_CVM_745032-1_D.3d_igs.zip](#)

English

Customer View Model

[ENG_CVM_CVM_745032-1_D.3d_stp.zip](#)

English

By downloading the CAD file I accept and agree to the [Terms and Conditions](#) of use.

Product Environmental Compliance

[MD_745032-1_053020141557_dmtec](#)

English

[MD_745032-1_053020141557_dmtec](#)

English

Instruction Sheets

[Instruction Sheet \(U.S.\)](#)

English



[Agency Approvals](#)

[UL Report](#)

English